



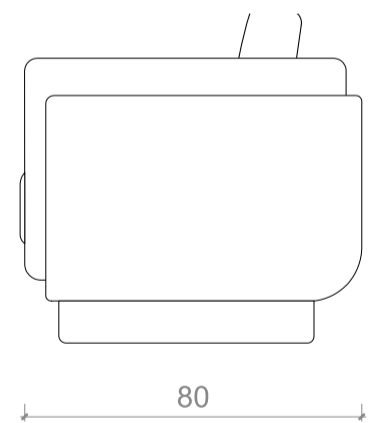
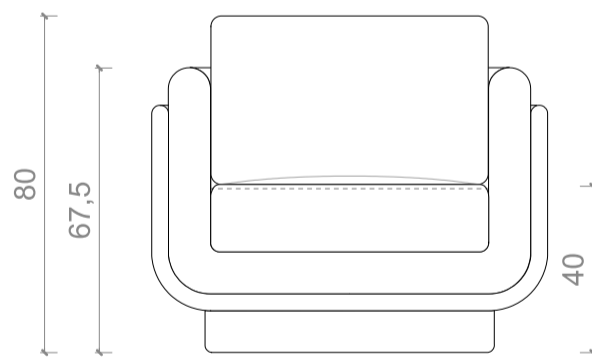
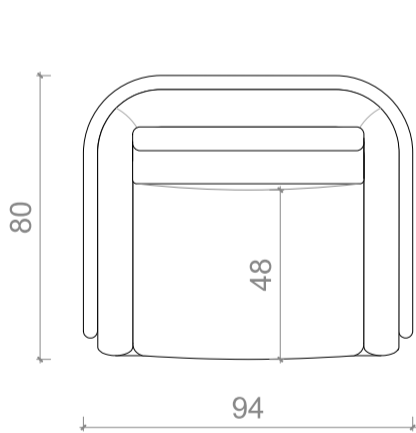
CHARLOTTE BILTGEN



## EBISU Armchair

### Dimensions

L94cm - D80cm - Arm Height 67.5cm - H80cm (with back cushion) - seating height 40cm  
L37" - D31,5" - Arm Height 26.4" - H31.5"(with back cushion) - seating height 15.75"



### Materials

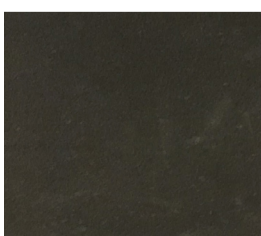
Outside : and base leather

Inside & cushions : fabric

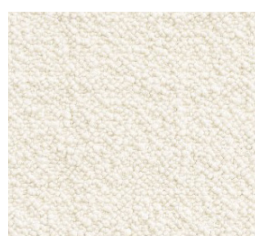
Outside and inside & cushions all the same fabric



Dedar velvet



Touch leather



Dedar Karakorum



Bisson Bruneel Bergamo

## SHOWROOM COURCELLES



CHARLOTTE BILTGEN



EBISU Armchair



SHOWROOM COURCELLES



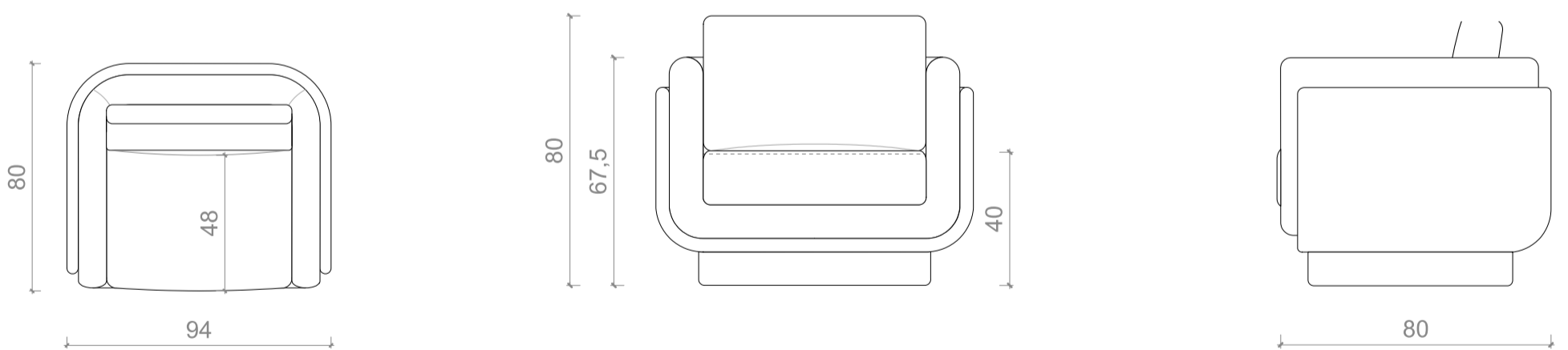
CHARLOTTE BILTGEN



## EBISU Armchair

### Dimensions

L94cm - D80cm - Arm Height 67.5cm - H80cm (with back cushion) - seating height 40cm  
L37" - D31,5" - Arm Height 26.4" - H31.5"(with back cushion) - seating height 15.75"

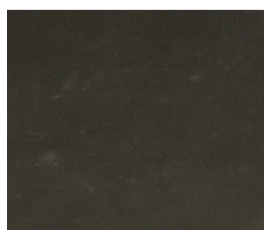
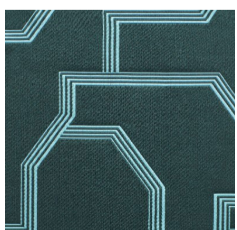


### Materials

Outside : and base leather

Inside & cushions : fabric

Outside and inside & cushions all the same fabric



Dedar Andivirieni 005    Leather Vision foresta

### SHOWROOM COURCELLES



CHARLOTTE BILTGEN



EBISU Armchair



SHOWROOM COURCELLES