



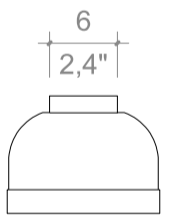
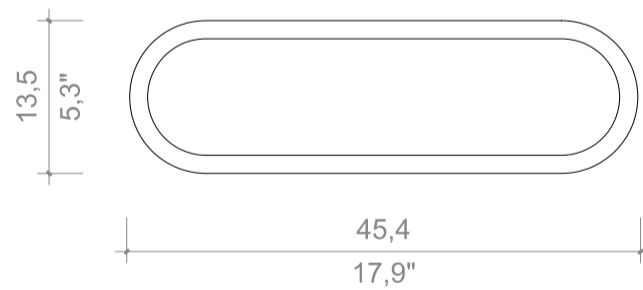
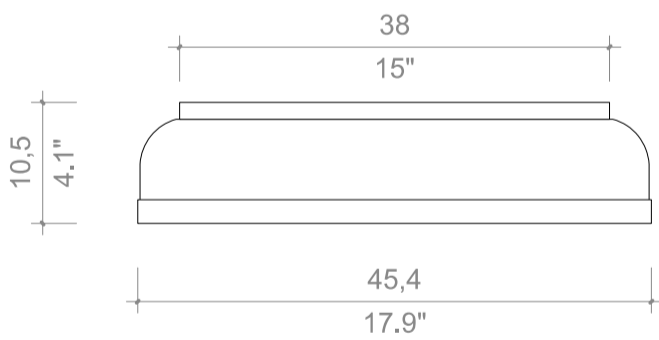
CHARLOTTE BILTGEN



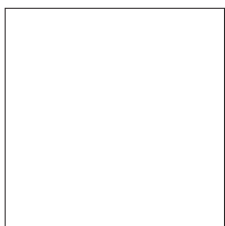
MOONLIGHT Applique

Dimensions

L 13,5 cm – P 10,5 cm - H 45,4 cm
W 5,3" – D 4.1" – H 17,9"



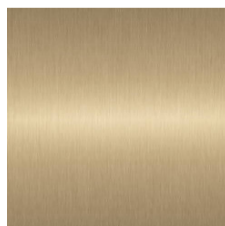
Materials



Translucid
textured glass



Plaster
smooth finish



Brass
mat varnish

SHOWROOM COURCELLES



CHARLOTTE BILTGEN

MOONLIGHT Applique Technical Specifications

Lighting system

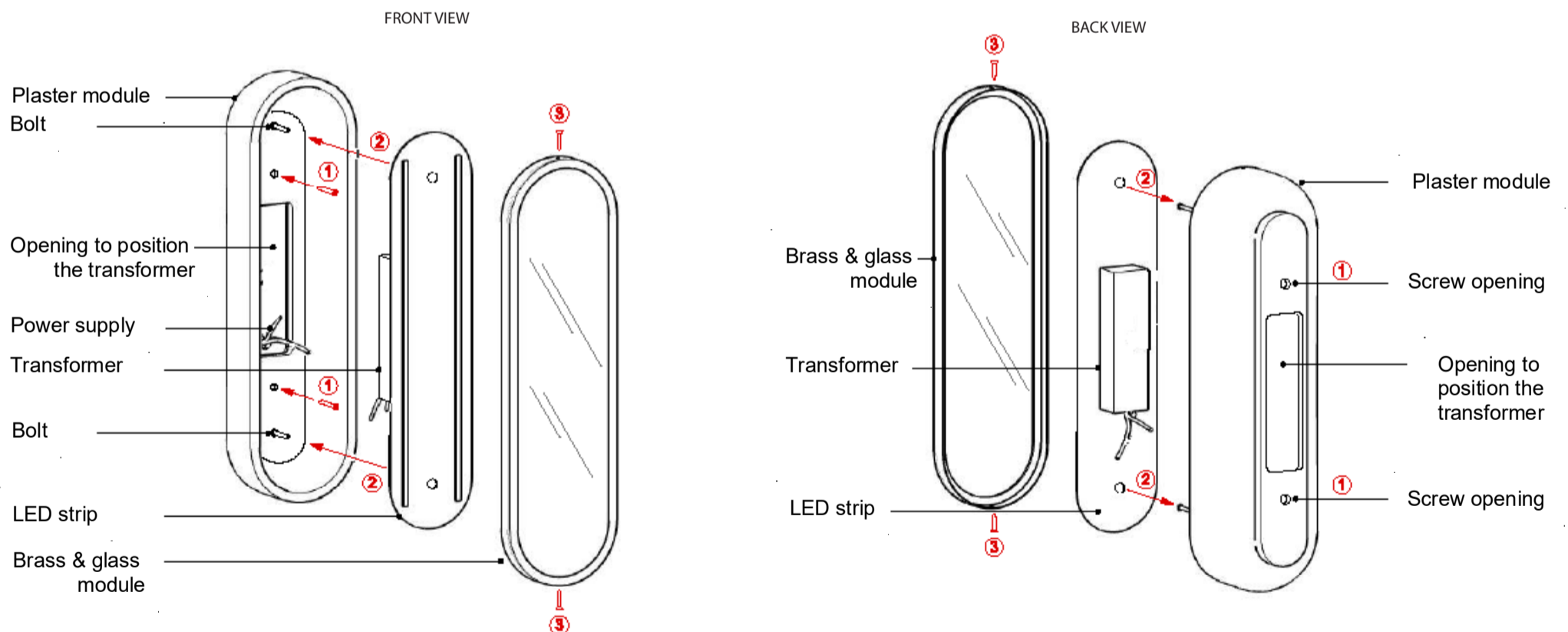
UL source LED strip and driver 110V
LED strip A4109 24W/meter
Light temperature is 2700K but can be custom made
CRI 92
Lumen 2030

Weight

About 3,5kg

Installation

Please unpack with care. Always use white gloves when handling.
Please clean with soft cotton cloth, do not use cleaning product nor water. Treat fixture gently.
Screws are included but please make sure they are suitable for your walls.



- ① The plaster module is screwed to the wall by two points (look at the drawing).
- ② The LED strip light with the attached transformer is then mounted on the plaster module using the 2 bolts already in place.
- ③ The brass module is screwed to the plaster on the top and the bottom with brass screws.

SHOWROOM COURCELLES